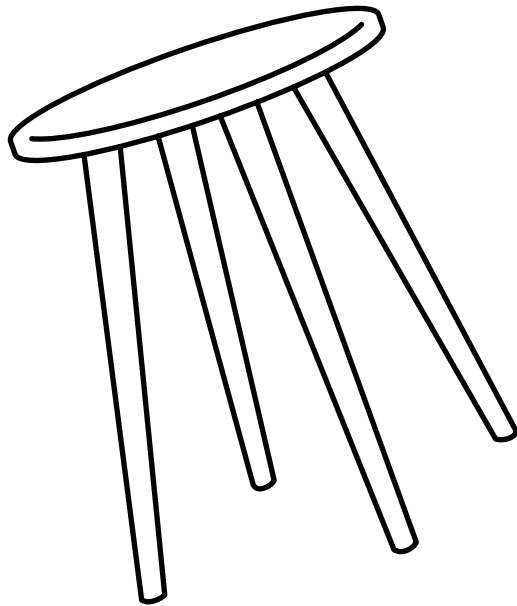
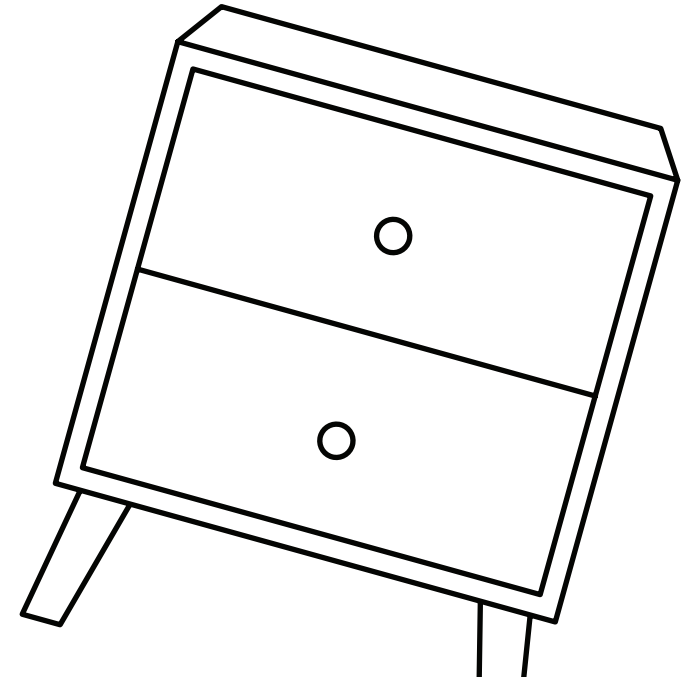


Hello,
I've arrived!

Now that I'm here you are only one
flat-pack away from transforming
your home.



Mocka.

Thank you for supporting us.

We believe design belongs to everyone. From materials and processes to safety testing, production and delivery, we are passionate and committed to bringing you the best possible product so you can create beautifully functional spaces to feel comfortably you.

Here are a few assembly tips before you get started:



Make Time

The first step to all seamless assembly is taking a moment to carefully read through the instructions—you are already on your way to creating a beautifully functional space!



Set The Mood

Put on your favourite playlist, order that pizza and pour yourself a drink to get in the mood!



Tool Check

Layout the instructions, screws and panels to check you have everything you need. A blanket or soft floor rug will help protect your new favourite item from scratches and a drill will speed up the assembly too!



Room Reveal








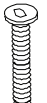
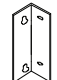
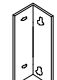


You did it! Take a step back and enjoy the moment. Don't forget to recycle any packaging and share a pic of your room reveal - we love seeing how you transform your home! Tag us @mockaaustralia/@mockaanz

Happy flat-packing!

The Mocka Team

Taylor Queen Bed

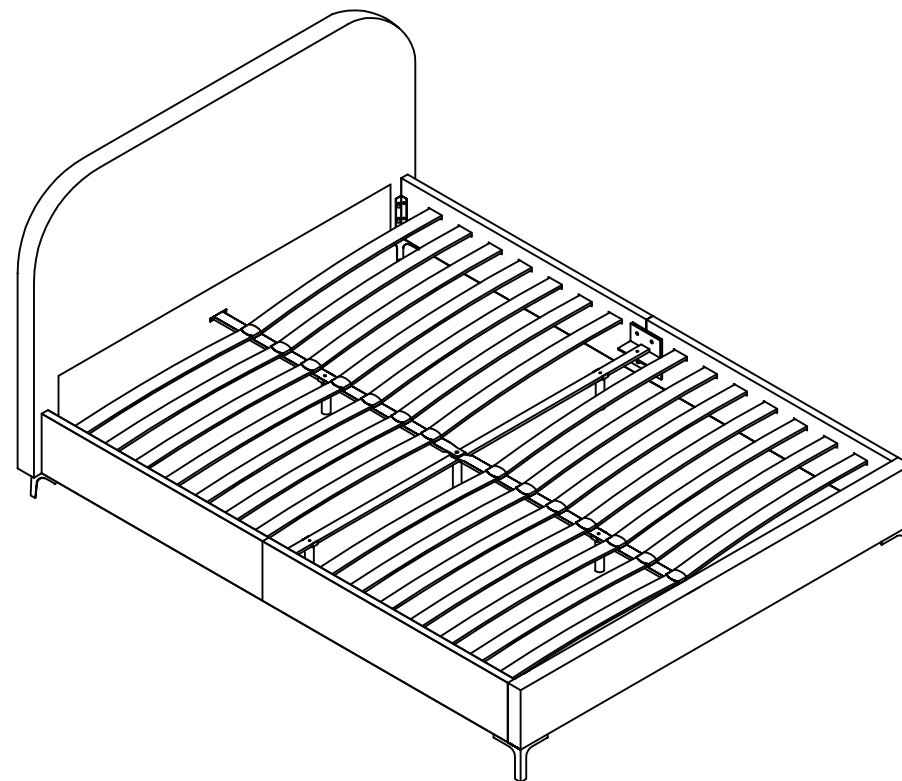
Thank you for purchasing Taylor Queen Bed. Please follow the manufacturer's assembly instructions in detail.

A  double cap x14	B  25mm bolt x8	C  spring washer x8	D  washer x8	E  25mm bolt x4
F  20mm bolt x 20	G  25mm screw x16	H  35mm bolt x1	L  left plate x2	R  right plate x2
T2  small allen key x1	T3  large allen key x1	Hardware Supplied		



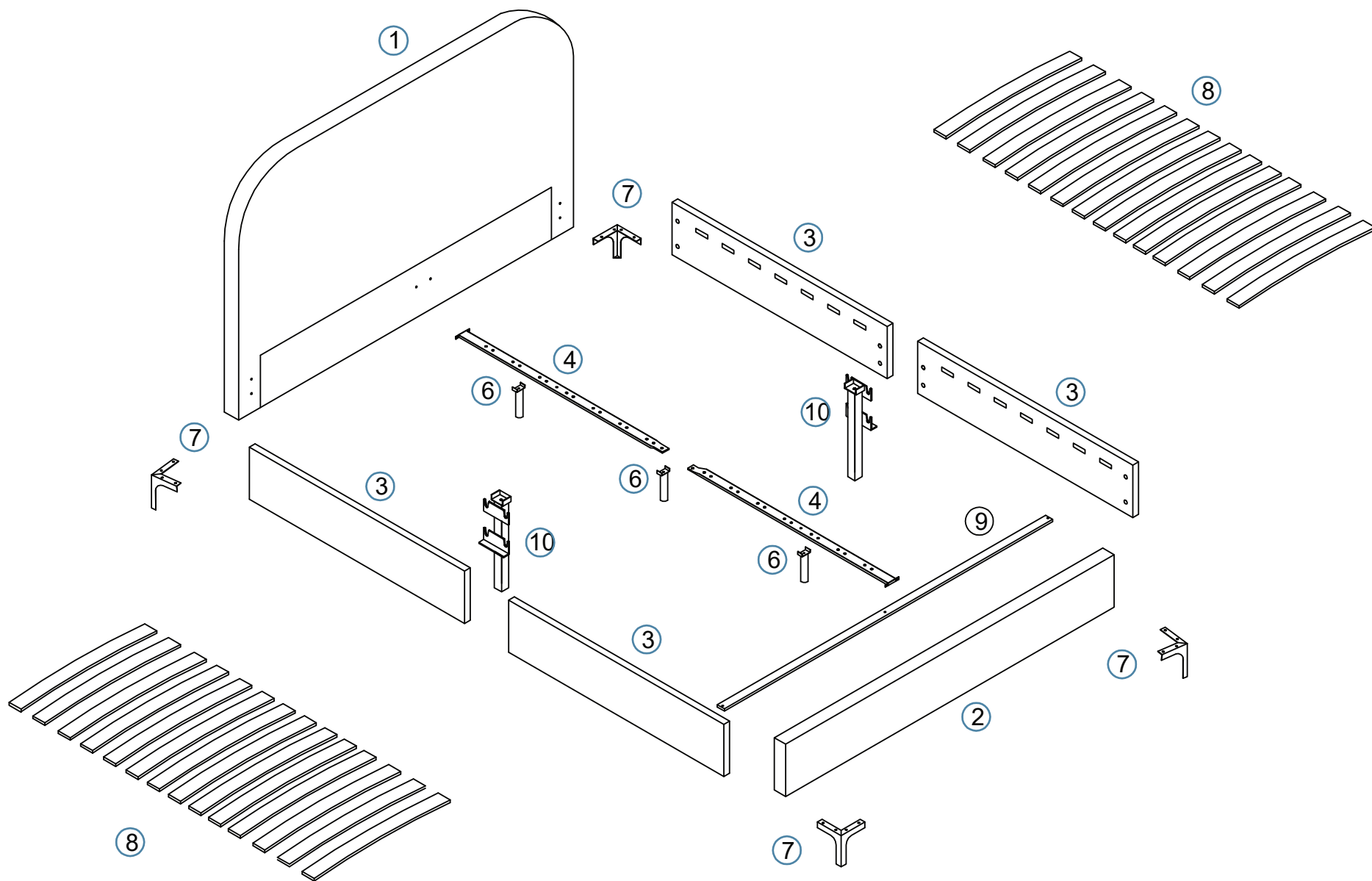
Phillips & Flathead screwdrivers required.

For quicker assembly, we recommend the use of a power drill on a low-speed setting.



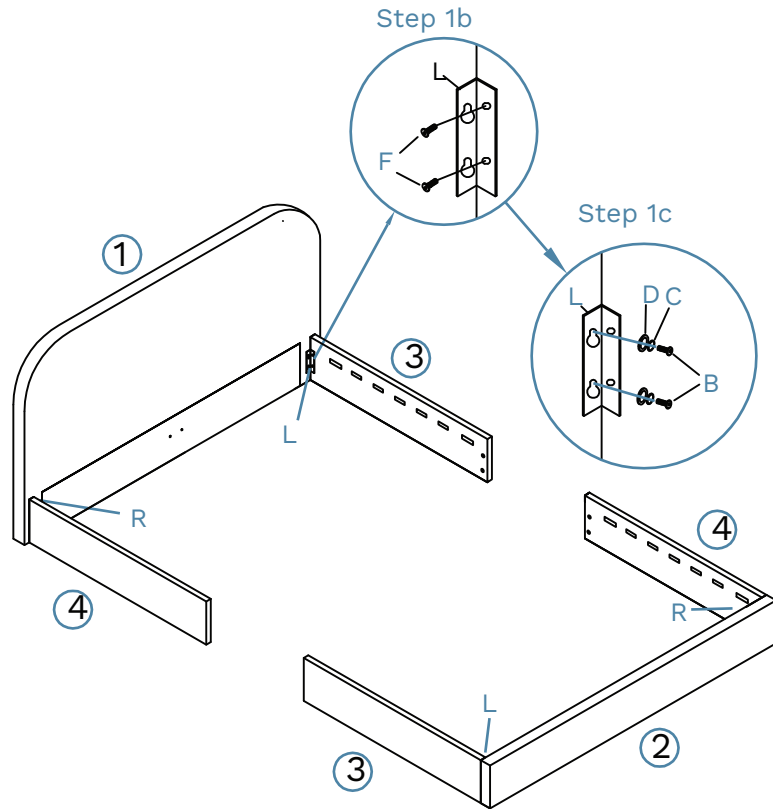
*** IMPORTANT NOTICE ***
When moving the bed, please lift off the ground with two people. DO NOT drag, push or pull the bed across the floor, as this can result in damage to the supporting leg.

Taylor Queen Bed



Taylor Queen Bed

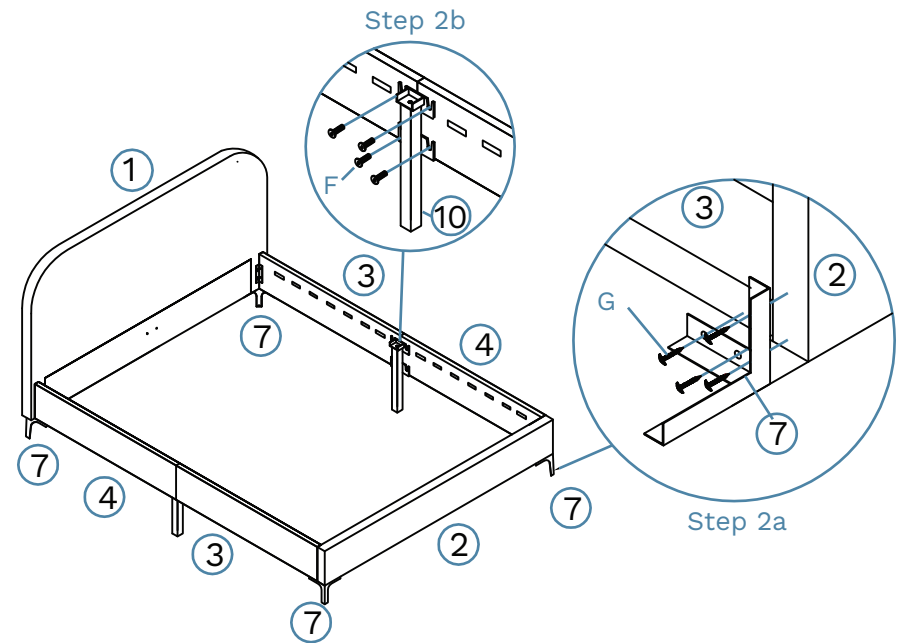
1



1b: Attach 1x left plate (L) and 1x right plate (R) to panels [1], [3] and [4] and secure with 4x spring washers (D), 4x washers (C), 4x 25mm bolts (B), 2 x screws (F). Tighten with Allen Key (T2). Do not completely tighten the screws until the complete frame is built.

1a: Attach 1x left plate (L) and 1x right plate (R) to panels [3], [2] and [4] and secure with 4x spring washers (D), 4x washers (C), 4x 25mm bolts (B), 2 x screws (F). Tighten with Allen Key (T2). Do not completely tighten the screws until the complete frame is built.

2

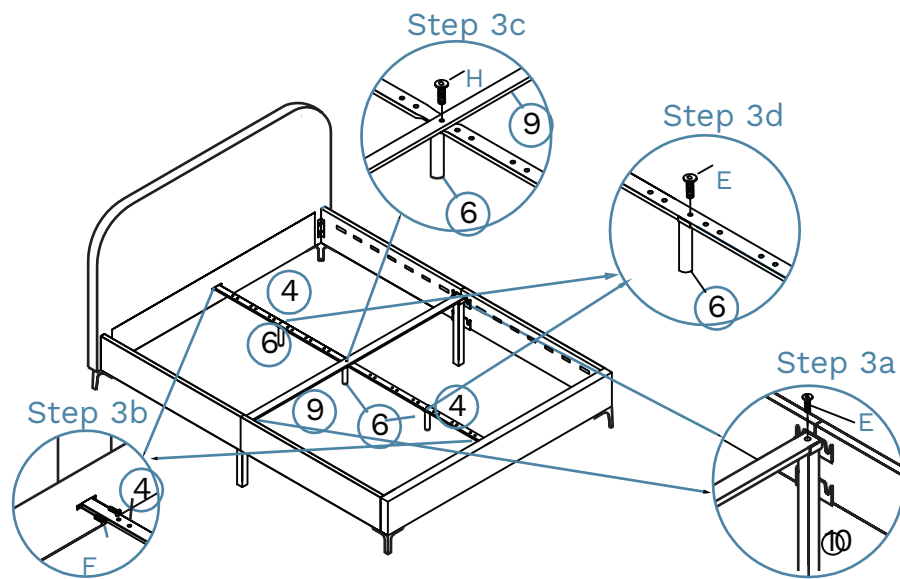


2b: Attach 2 x legs (10) to assembled frame and secure with 8 x bolts (F). Tighten with Allen Key (T2).

2c: Attach 4 x legs (7) to assembled frame and secure with 16 x bolts (G). Tighten with a screwdriver.

Taylor Queen Bed

3

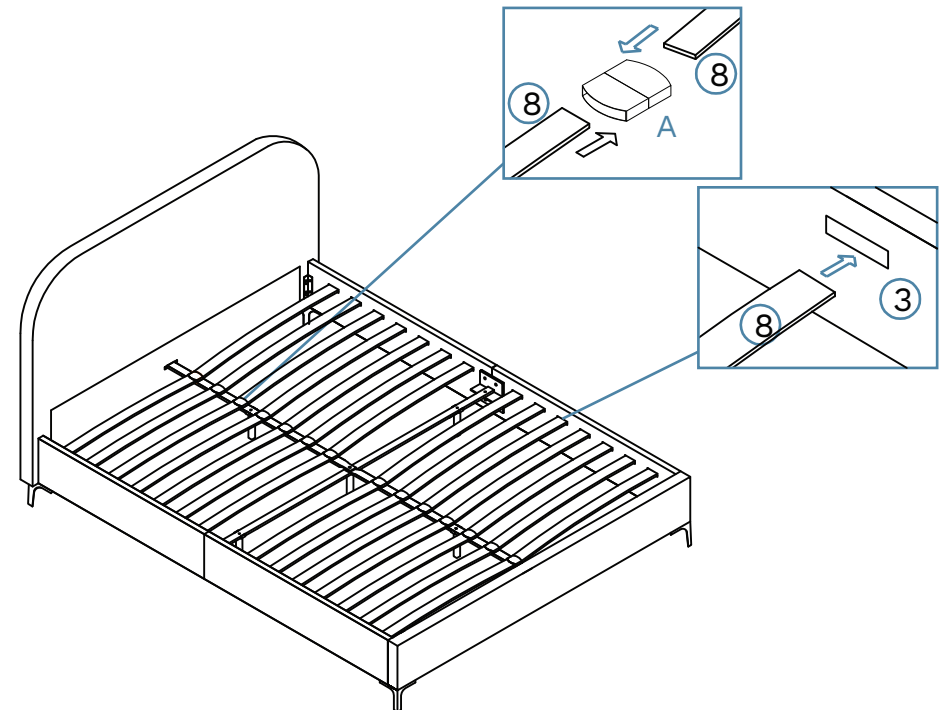


3a: Attach panel [9] to assembled frame and secure with 4 x screws (E). Tighten with a screwdriver.

3b: Attach panel [4] to assembled frame and secure with 4 x screws (F). Tighten with a screwdriver.

3c: Attach panel [9] to panel [6] and secure with 4 x screws (H). Tighten with a screwdriver.

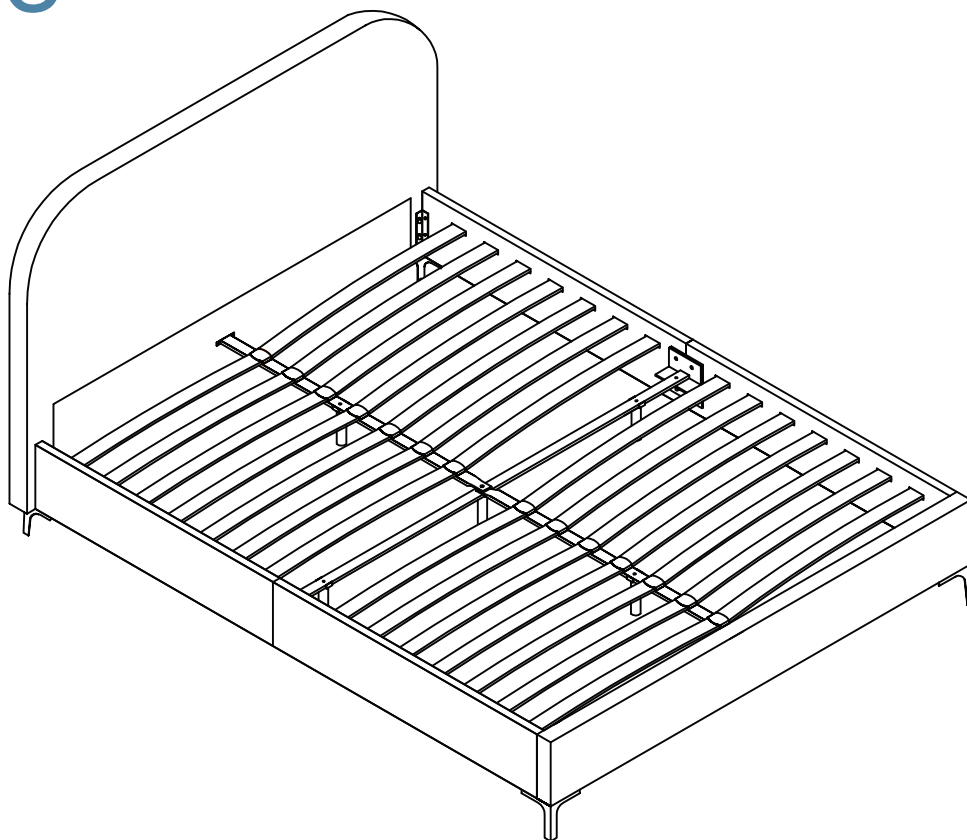
4



Join the bed planks together in the middle of the frame using 14x double caps (A). Insert the end of the planks into the bed frame as shown and attach the double caps (A) into panel [8]. Make sure the double caps (A) click securely into place.

Taylor Queen Bed

5



Lift the bed into the desired location, do not drag, You're done, enjoy!